



## G SERIES ANSI FLANGE FITTING (PRECISION TURBINE METERS)

The G Series High Precision Meter is the most accurate of all the FLOMEC® Turbine Meters:

### FEATURES / BENEFITS

- Meter includes a traditional design
- Available in a variety of sizes
- High Temperature model available

## APPLICATIONS

- Fuel
- Batching
- Food & Beverage
- Petro Chemicals
- Pharmaceuticals
- Thin Viscosity Fluids Under 100 Centipoise
- Process Control
- Chemical Feed Lines
- Irrigation
- High Water Volume Mixing
- High Precision / High Pressure

## PRODUCT CONFIGURATION

### PRODUCT IDENTIFIER **1**

**G** = G Series Precision Turbine Meter

### FITTING TYPE **2**

**F** = Flanged

### SHAFT / SLEEVE BEARING / THRUST BEARING **3**

**T-** = Tungsten Carbide / Tungsten Carbide / Tungsten Carbide  
**P-** = Stainless Steel / PTFE / Stainless Steel  
 (No High Temp available)

### TURBINE SIZE & FLOWRATE **4**

**-075S** = 3/4" Standard  
**-075H\*\*** = 3/4" High Temp - Turbine Body Only\*  
**-075E** = 3/4" Ext-Range  
**-75EH\*\*** = 3/4" Ext-Range High Temp - Turbine Body Only\*  
**-100S** = 1" Standard  
**-100H\*\*** = 1" High Temp - Turbine Body Only\*  
**-150S** = 1-1/2" Standard  
**-150H\*\*** = 1-1/2" High Temp - Turbine Body Only\*  
**-200S** = 2" Standard  
**-200H\*\*** = 2" High Temp - Turbine Body Only\*

\*Call GPI for Sensor & Electronics

\*\*Only Available for GFT

### SENSOR CHOICE **5**

**X** = No Sensor - Turbine Body Only

### ELECTRONIC CHOICE (LOCAL) **6**

*Turbine Mounted*

**-X** = No Electronics - Turbine Body Only

--->>>> **1** **2** **3** **4** **5** **6**  
**G F T- -075S X -X**

## SPECIFICATIONS

<b>Design Type:</b>	Turbine		
<b>Fitting Type:</b>	150# RF ANSI Flange		
<b>Housing Material:</b>	316 Stainless Steel		
<b>Meter Sizes Available:</b>			
For GFT	3/4" 1" 1-1/2" 2"		
For GFP:	3/4" 1" 1-1/2" 2"		
For High Temperature:	3/4" 1" 1-1/2" 2"		
<b>Flow Range:</b>	3/4" (075)	1.6 - 16 GPM	(6.0 - 60 L/min)
	3/4" (075E)	2.3 - 23 GPM	(8.7 - 87 L/min)
	1" (100)	6.7 - 67 GPM	(25 - 252 L/min)
	1-1/2"(150)	17.7 - 177 GPM	(67 - 670 L/min)
	2" (200)	33 - 330 GPM	(125 - 1250 L/min)
<b>Accuracy (Linearity):</b>	± 0.5%		
<b>Repeatability:</b>	± 0.1%		
<b>Pressure Rating:</b>	Flange Rule		
<b>Operating Temperature Range:</b>			
For Tungsten Carbide:	-450° F to 800° F (-268° C to 426° C)		
For SS/PTFE:	-100° F to 225° F (-74° C to 107° C)		
<b>Typical K-Factor:</b>	3/4" (075)	3,750 PPG (991 Pulses/L)	
	3/4" (075E)	2,608 PPG (689 Pulses/L)	
	1" (100)	896 PPG (237 Pulses/L)	
	1-1/2"(150)	340 PPG (90 Pulses/L)	
	2" (200)	181 PPG (48 Pulses/L)	

## DIMENSIONS

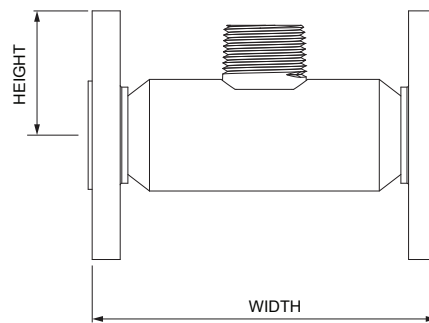
Meter Size	Length in. (mm)	Height in. (mm)
3/4"	5.50 (140)	1.94 (49)
1"	5.50 (140)	2.12 (54)
1-1/2"	6.00 (152)	2.50 (63)
2"	6.50 (165)	3.00 (76)

\* Height on flange meters, measures from center line to top of flange.

## ACCESSORIES / ELECTRONICS

Part No.	Description
80001101	Weather proof enclosure - Zinc
80001105	Weather proof enclosure - SS
F Series (F018/F127/F130)	Remote Electronics

<b>Wetted Materials:</b>	<b>Housing:</b>	316 Stainless Steel
	<b>Sleeve Bearings:</b>	GFT - Tungsten Carbide GFP - PTFE
	<b>Thrust Bearing:</b>	GFT - Tungsten Carbide GFP - 440C Stainless Steel
	<b>Shaft:</b>	GFT - Tungsten Carbide GFP - 316 Stainless Steel
	<b>Rotor:</b>	CD4MCu Stainless Steel
	<b>Rotor Supports:</b>	316 Stainless Steel
	<b>Retaining Rings:</b>	300 Series Stainless Steel
<b>Recommended Strainer Size:</b>		
	3/4 inch	40 mesh (420 µm)
	1 inch	40 mesh (420 µm)
	1-1/2 inch	18 mesh (1000 µm)
	2 inch	14 mesh (1410 µm)
<b>Frequency Output:</b>	3/4" (075)	100 - 1000 Hz
	1" (100)	100 - 1000 Hz
	1-1/2"(150)	100 - 1000 Hz
	2" (200)	100 - 1000 Hz
<b>Calibration Report:</b>	Comes standard with G Series meters.	
	N.I.S.T. - Certification available.	



Part No.	Description
145506-01	Kit, Adapter, G Series-QS11-Q09 Display
145506-02	Kit, Adapter, G Series-QS12-Q09 Display
145506-03	Kit, Adapter, G Series-QS13-Q09 Display
145506-04	Kit, Adapter, G Series-QS11-No Display
145506-05	Kit, Adapter, G Series-QS12-No Display
145506-06	Kit, Adapter, G Series-QS13-No Display

**Service & Warranty:** For technical assistance, warranty replacement or repair contact your **FLOMEC®** or **GPI®** distributor. In North or South America: **888-996-3837 / FLOMEC.net**  
Outside North or South America: **+61 2 9540 4433 / FLOMEC.net**